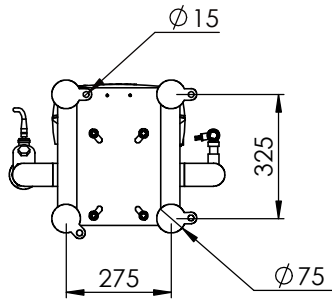
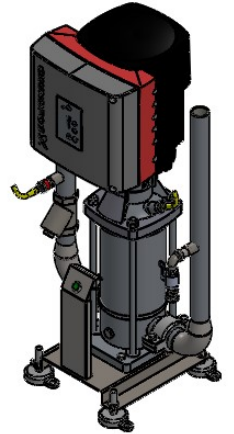
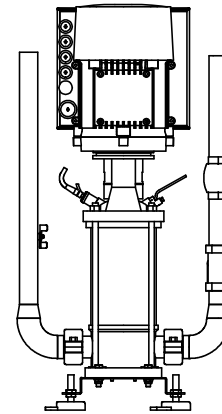
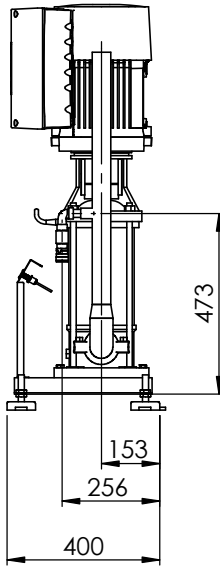
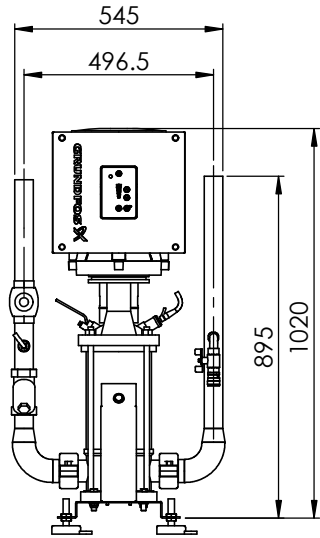


Rev.	Description	Date	Sig.



NOTES

<p><b>IF IN DOUBT - ASK</b></p> <p>REMOVE ALL BURRS AND SHARP EDGES</p> <p><b>CONFIDENTIAL INFORMATION</b></p> <p><small>THE INFORMATION AND DATA CONTAINED HEREIN IS PROPRIETARY AND SUBMITTED IN CONFIDENCE, AND SHALL NOT BE DISCLOSED, USED OR REPRODUCED FOR ANY PURPOSE, WITH OR WITHOUT THE PRIOR WRITTEN PERMISSION OF SMA CLEANING SYSTEMS LTD. THIS LEGEND SHALL BE MARKED ON ANY REPRODUCTIONS HEREOF IN WHOLE OR IN PART. RECEIPT OF THIS DOCUMENT SHALL BE DEEMED TO BE AN ACCEPTANCE OF THE CONDITIONS SPECIFIED HEREIN.</small></p>	<p><b>TOLERANCES</b></p> <p>ALL 3 PLACE DIMENSIONS TO BE ±0.5 ALL 1 PLACE DIMENSIONS TO BE ±0.1 ALL 2 PLACE DIMENSIONS TO BE ±0.01</p> <p>UNLESS OTHERWISE STATED</p>	<p><b>MATERIAL:</b></p> <p>-</p> <p><b>TREATMENT:</b></p> <p>-</p> <p><b>WEIGHT IN KG:</b></p> <p>-</p>	<p><b>DESIGNED BY:</b></p> <p>-</p> <p><b>DATE:</b></p> <p>-</p> <p><b>DRAWN BY:</b></p> <p>JW</p> <p><b>APPROVED BY:</b></p> <p>SMA</p> <p><b>SCALE:</b></p> <p>DO NOT SCALE</p>	<p><b>SMA Cleaning Systems Ltd</b> SMA House, Unit 16 Gilwilly Industrial Estate, Hartness Road, Penrith, CA11 9BD Tel: +44 (0)1768 629729 Email: sales@smacleaningsystem.co.uk</p>	<p><b>TITLE</b></p> <p>SMA MultiPressure BSR-200-27</p>
	<p><b>SURFACE FINISH TO BE</b></p> <p>3.2 MICRONS UNLESS OTHERWISE STATED</p>	<p><b>SHD NO.</b></p> <p> </p>	<p><b>REV.</b></p> <p> </p>		
	<p>ALL DIMENSIONS ARE IN MILLIMETRES UNLESS OTHERWISE STATED</p>	<p>THIRD ANGLE PROJECTION</p>	<p><b>SHEET</b></p> <p>1 OF 1</p>		
	<p><b>A3</b></p>	<p><b>DO NOT SCALE</b></p>	<p><b>1</b></p>		