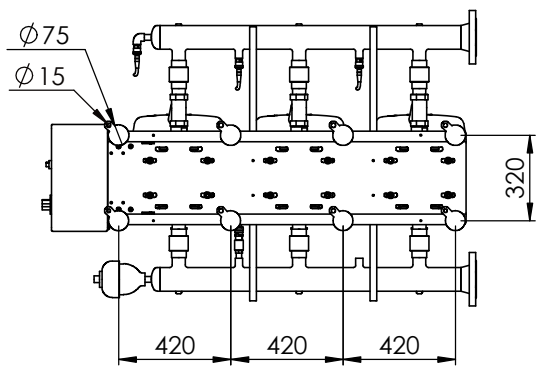
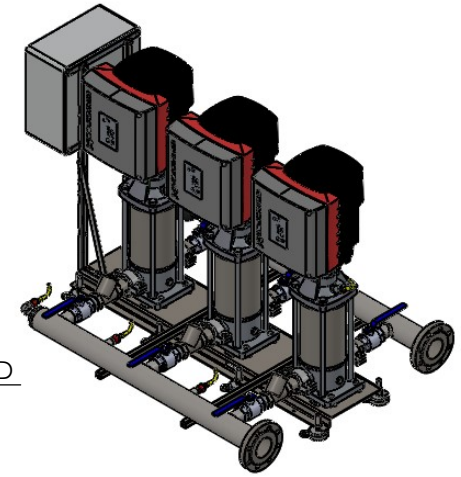
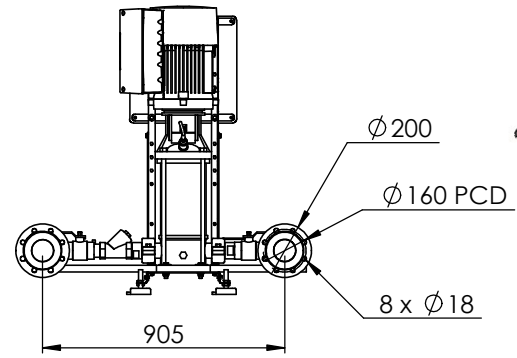
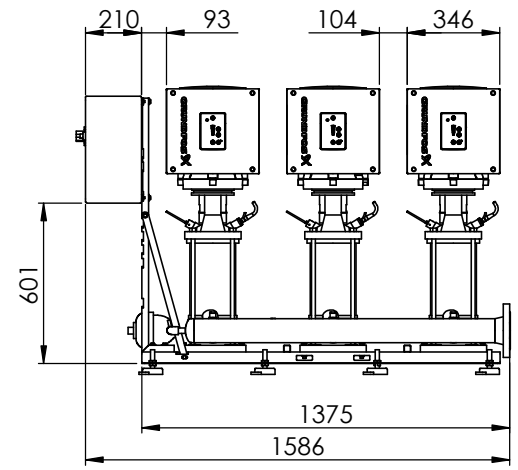
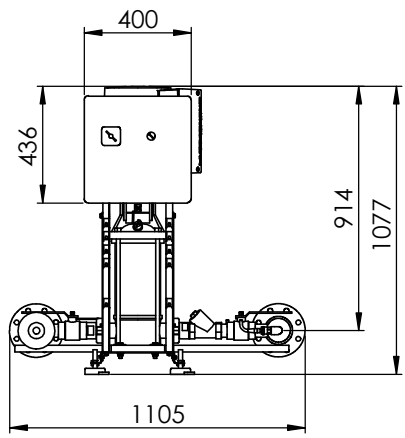


Rev.	Description	Date	Sig.



NOTES

IF IN DOUBT - ASK

REMOVE ALL BURRS AND SHARP EDGES

CONFIDENTIAL INFORMATION

THE INFORMATION AND DATA CONTAINED HEREIN IS PROPRIETARY AND SUBMITTED IN CONFIDENCE, AND SHALL NOT BE DISCLOSED, USED OR PUBLISHED FOR ANY PURPOSE WITHOUT THE PRIOR WRITTEN PERMISSION OF SMA CLEANING SYSTEMS LTD. THIS LEGEND SHALL BE MARKED ON ALL REPRODUCTIONS HEREOF IN WHOLE OR IN PART. RECEIPT OF THIS DOCUMENT SHALL BE DEEMED TO BE AN ACCEPTANCE OF THE CONDITIONS SPECIFIED HEREIN.

IF IN DOUBT - ASK

REMOVE ALL BURRS AND SHARP EDGES

CONFIDENTIAL INFORMATION

THE INFORMATION AND DATA CONTAINED HEREIN IS PROPRIETARY AND SUBMITTED IN CONFIDENCE, AND SHALL NOT BE DISCLOSED, USED OR PUBLISHED FOR ANY PURPOSE WITHOUT THE PRIOR WRITTEN PERMISSION OF SMA CLEANING SYSTEMS LTD. THIS LEGEND SHALL BE MARKED ON ALL REPRODUCTIONS HEREOF IN WHOLE OR IN PART. RECEIPT OF THIS DOCUMENT SHALL BE DEEMED TO BE AN ACCEPTANCE OF THE CONDITIONS SPECIFIED HEREIN.

TOLERANCES

ALL 3 PLACE DIMENSIONS TO BE ±0.5
ALL 1 PLACE DIMENSIONS TO BE ±0.1
ALL 2 PLACE DIMENSIONS TO BE ±0.01

UNLESS OTHERWISE STATED

SURFACE FINISH TO BE

3.2
MICRONS
UNLESS OTHERWISE STATED

MATERIAL:

-

TREATMENT:

-

WEIGHT IN KG:

-

DESIGNED BY

-

DATE

-

DRAWN BY

JW

APPROVED BY

SMA

SCALE

DO NOT SCALE

A3

SMA CLEANING SYSTEMS

SMA Cleaning Systems Ltd
SMA House, Unit 16
Gilwilly Industrial Estate,
Hartness Road,
Penrith, CA11 9BD
Tel: +44 (0)1768 629729
Email:
sales@smacleaningsystem.co.uk

TITLE

SMA MultiPressure BSR-630-27

DWG NO.

REV.

ALL DIMENSIONS ARE IN MILLIMETRES UNLESS OTHERWISE STATED

THIRD ANGLE PROJECTION

SHEET 1 OF 1