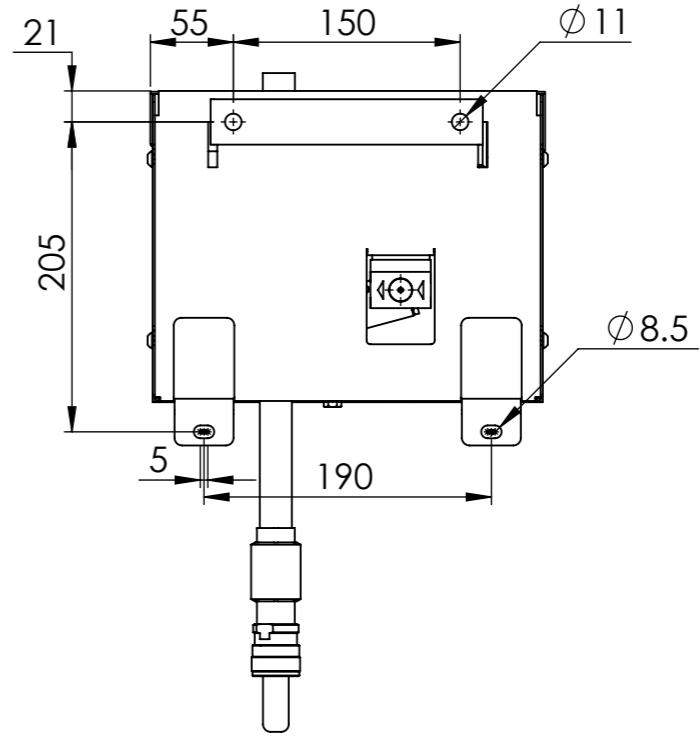
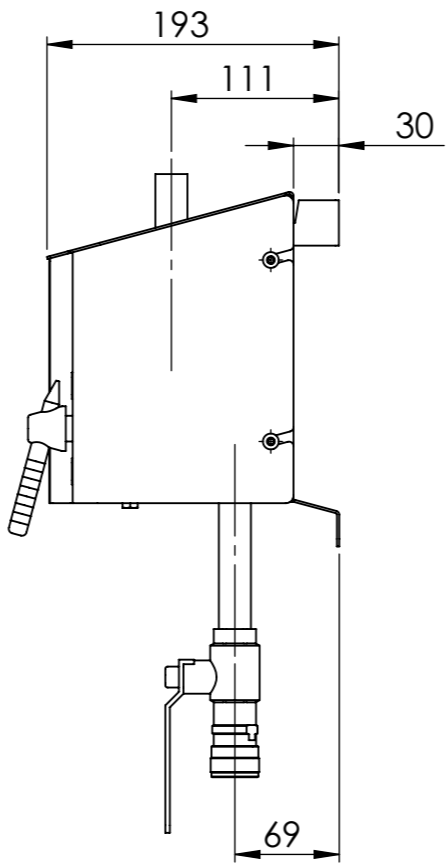
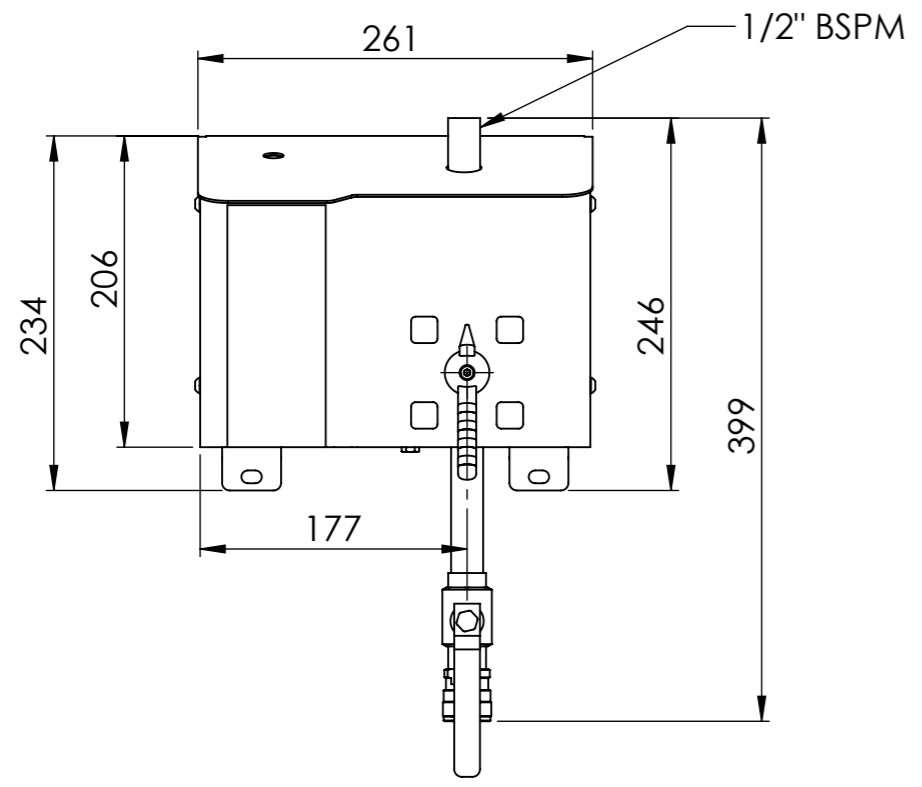
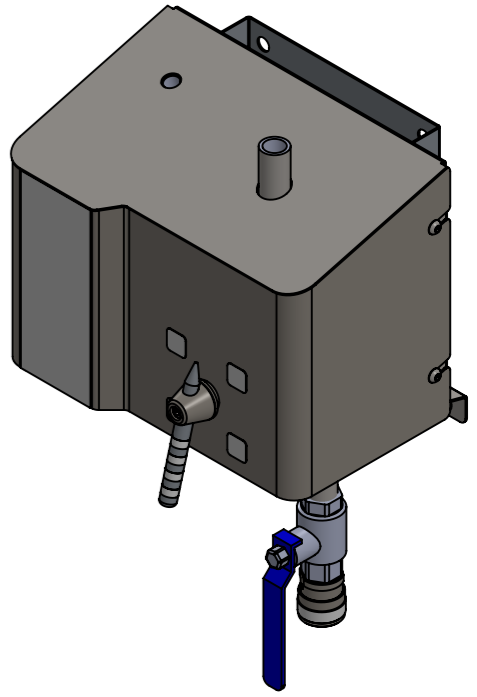
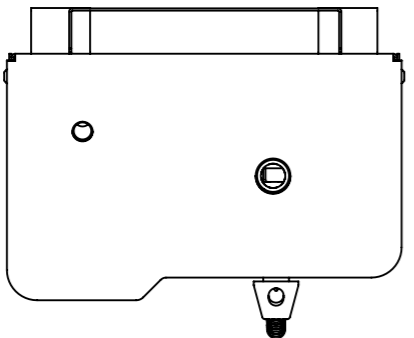


Rev.	Description	Date	Sig.



NOTES

IF IN DOUBT - ASK

REMOVE ALL BURRS AND SHARP EDGES

CONFIDENTIAL INFORMATION

THE INFORMATION AND DATA CONTAINED HEREIN IS PROPRIETARY AND SUBMITTED IN CONFIDENCE AND SHALL NOT BE DISCLOSED, USED OR DUPLICATED FOR ANY PURPOSE WHATSOEVER WITHOUT THE PRIOR WRITTEN PERMISSION OF SMA CLEANING SYSTEMS LTD. THIS LEGEND SHALL BE MARKED ON ANY REPRODUCTIONS HEREOF IN WHOLE OR IN PART. RECEIPT OF THIS DOCUMENT SHALL BE DEEMED TO BE AN ACCEPTANCE OF THE CONDITIONS SPECIFIED HEREIN.

TOLERANCES	
ALL 0 PLACE DIMENSIONS TO BE	±0.5
ALL 1 PLACE DIMENSIONS TO BE	±0.1
ALL 2 PLACE DIMENSIONS TO BE	±0.01
UNLESS OTHERWISE STATED	
SURFACE FINISH TO BE	
3.2	MICRONS
UNLESS OTHERWISE STATED	

MATERIAL:	-
TREATMENT:	-
WEIGHT IN KG:	-

DESIGNED BY	-
DATE	-
DRAWN BY	JW
APPROVED BY	SMA
SCALE	DO NOT SCALE
	A3

SMA Cleaning Systems Ltd
 SMA House, Unit 16
 Gilwilly Industrial Estate,
 Hartness Road,
 Penrith, CA11 9BD
 Tel: +44 (0)1768 629729
 Email: sales@smacleaningsystem.co.uk

TITLE		SMA Solo Sat-27-2	
DWG NO.		REV.	
ALL DIMENSIONS ARE IN MILLIMETRES UNLESS OTHERWISE STATED		THIRD ANGLE PROJECTION	SHEET 1 OF 1